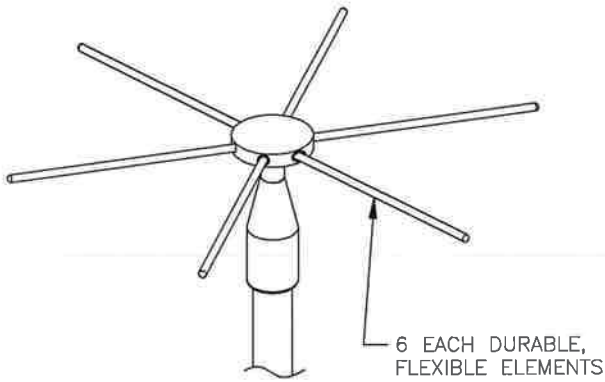
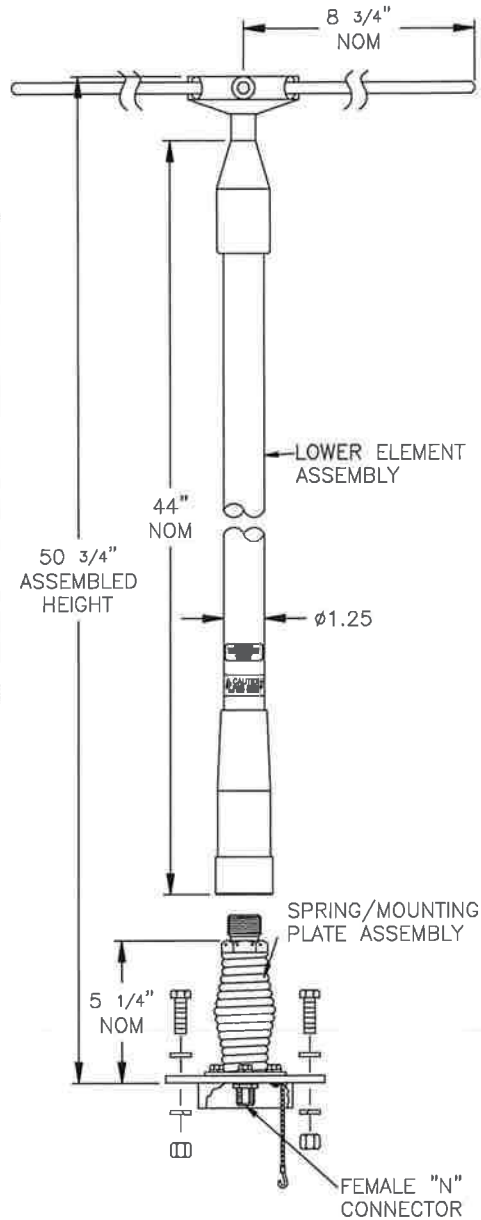
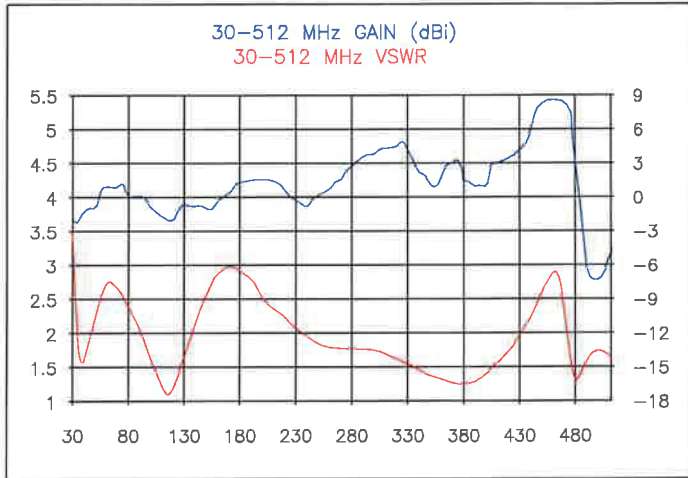


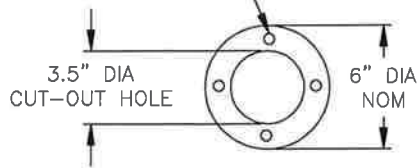
SPECIFICATION

FREQUENCY: 30-512 MHz
 INSTANTANEOUS BANDWIDTH: 482 MHz
 POLARIZATION: VERTICAL
 INPUT IMPEDANCE: 50 OHMS NOMINAL
 INPUT POWER: 200 WATTS, 50% DUTY CYCLE
 RF CONNECTOR: 30-512 MHz = TYPE N
 VSWR: AVERAGE 3.5:1 OR LESS
 GAIN: 30-512 MHz = -6 TO +9 dBi
 WEIGHT: 6 LBS APPROXIMATE
 WIND RATING: >100 MPH
 COLOR: GREEN, TAN, BLACK

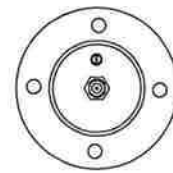


TOP HAT DETAIL


FOUR .438" DIA HOLES
 SPACED 90° APART ON
 4.5" BOLT HOLE CIRCLE



BOLT HOLE MOUNTING PATTERN



BOTTOM VIEW

DO NOT SCALE DRAWING UNLESS OTHERWISE SPECIFIED DIMENSIONS ARE IN INCHES. X = ± TOL_X XX = ± TOL_XX XXX = ± TOL_XXX ANGLES = ± TOL_ANG		 ELECTRONIC PRODUCTS GROUP COLUMBIA, S.C. 29203	DRAWN BDM	ENG APPROVAL	SCALE -	DATE 11/30/12
HIGH POWER LOW PROFILE 30-512 MHz			PART# HP-LP3512/VRC			

REV	DESCRIPTION	BY	DATE
-----	-------------	----	------