

SPECIFICATION

FREQUENCY: 30-512 MHz
 INSTANTANEOUS BANDWIDTH: 482 MHz
 POLARIZATION: VERTICAL
 INPUT IMPEDANCE: 50 OHMS NOMINAL
 INPUT POWER: 75 WATTS CW
 RF CONNECTOR: 30-512 MHz = TYPE N STANDARD
 DUAL FEED: OPTIONAL LP-DFD DIPLEXER (DUAL BNC)
 VSWR: AVERAGE 3.5:1 OR LESS
 GAIN: 30-512 MHz = -5 TO +4 dBi
 WEIGHT: 7 LBS APPROXIMATE
 WIND RATING: 70 MPH
 HV PROTECTION: 20 kV RMS
 COLOR: GREEN, TAN, BLACK

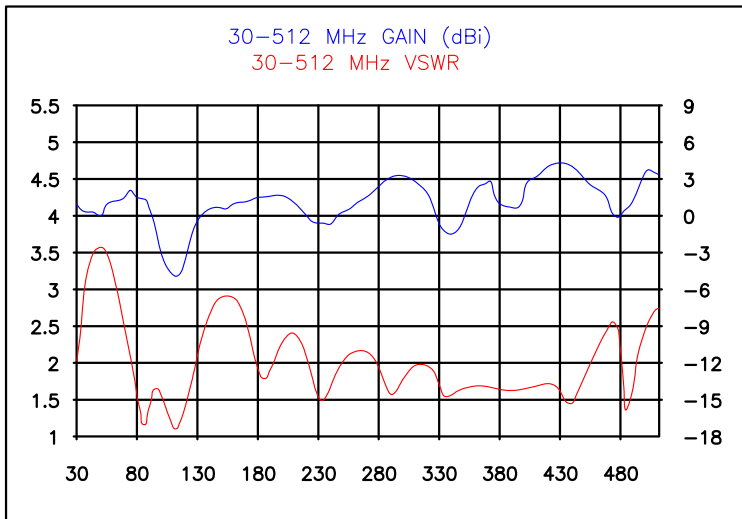
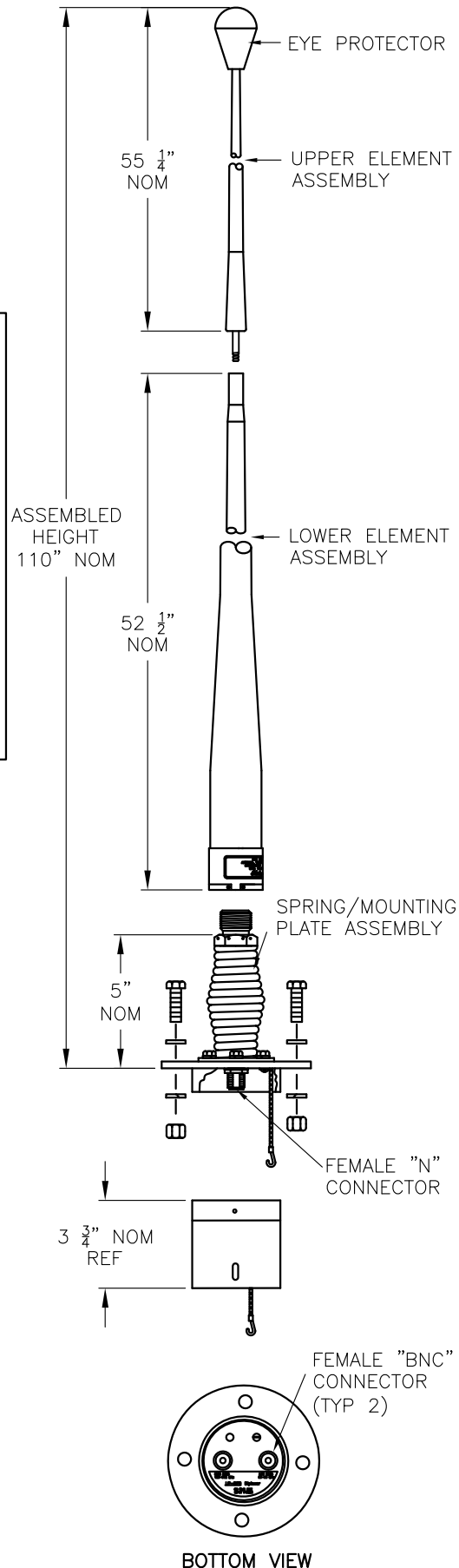
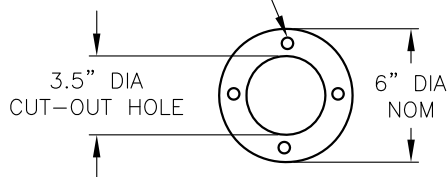


TABLE OF OPTIONAL MODELS:

| | |
|---------------|-----------------------------------|
| SFB3512/VRC | - GREEN COLOR NO DIPLEXER |
| SFB3512B/VRC | - BLACK COLOR NO DIPLEXER |
| SFB3512T/VRC | - TAN COLOR NO DIPLEXER |
| SFB3512D/VRC | - GREEN COLOR W/LP-DFD INSTALLED |
| SFB3512BN/VRC | - GREEN COLOR W/"BNC" TERMINATION |



FOUR .438" DIA HOLES
 SPACED 90° APART ON
 4.5" BOLT HOLE CIRCLE



BOLT HOLE MOUNTING PATTERN

BOTTOM VIEW

DO NOT SCALE DRAWING
 UNLESS OTHERWISE SPECIFIED
 DIMENSIONS ARE IN INCHES.
 .X = ± TOL_X
 .XX = ± TOL_XX
 .XXX = ± TOL_XXX
 ANGLES = ± TOL_ANG



| | | | |
|-------------------------|---------------|------------|-----------------|
| DRAWN HRJ | ENG APPROVAL: | SCALE - | DATE 9/20/10 |
| BROADBAND 30-512 MHz | | | |
| PART# SFB-3512/VRC | | | |

| REV | DESCRIPTION | BY | DATE |
|-----|-------------|----|------|
|-----|-------------|----|------|