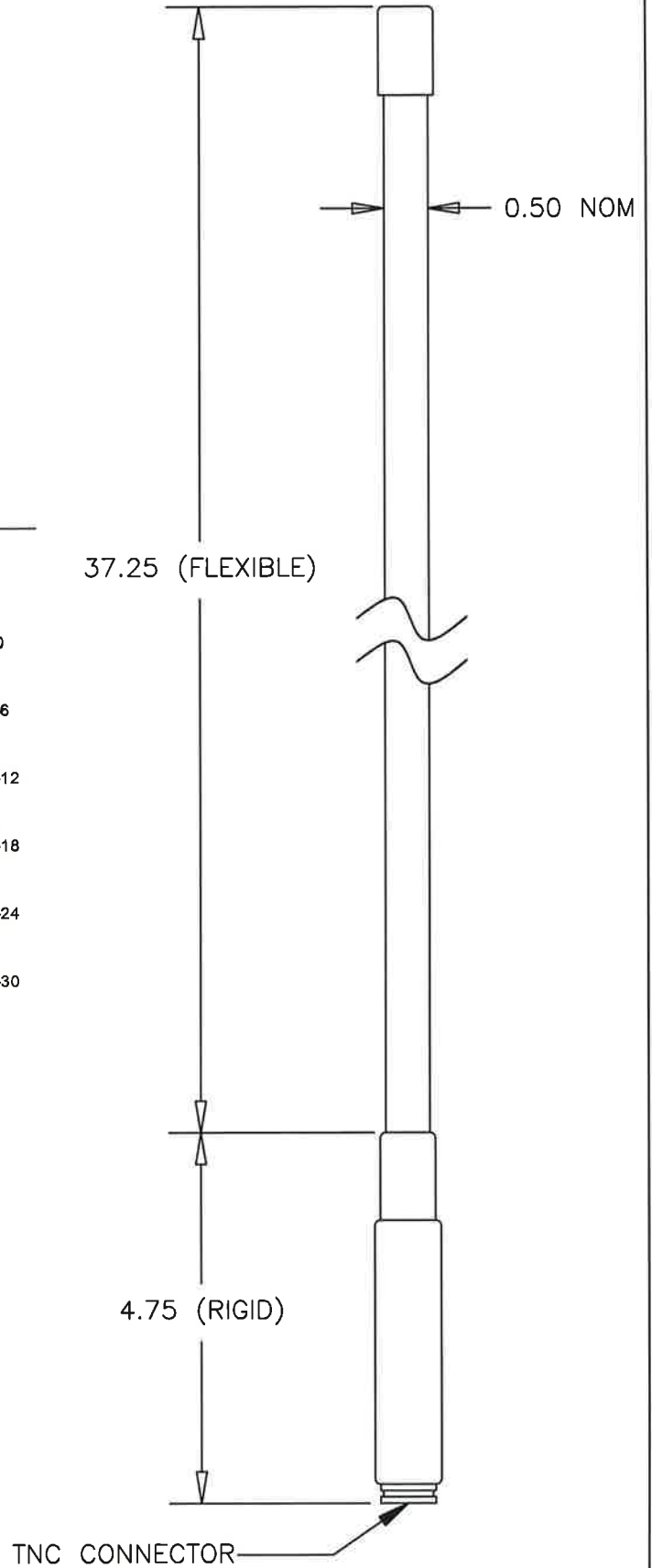
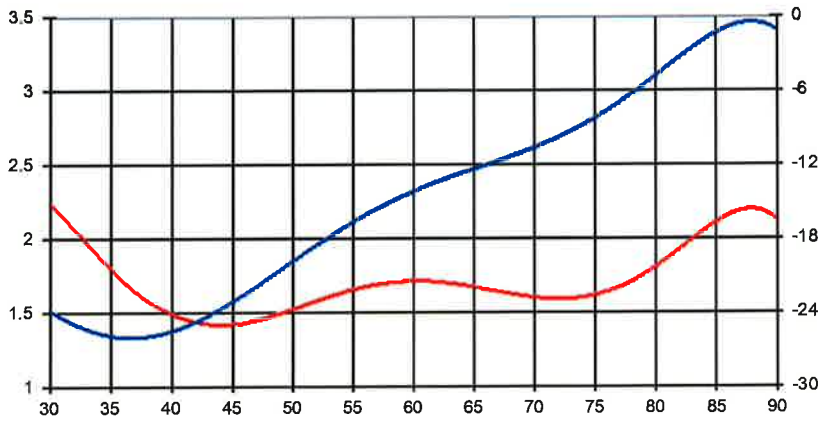


**SPECIFICATION**

FREQUENCY: 30–88 MHz  
 INSTANTANEOUS BANDWIDTH: 58 MHz  
 POLARIZATION: LINEAR  
 INPUT IMPEDANCE: 50 OHMS NOMINAL  
 INPUT POWER: 20 WATTS CW (30–88 MHz)  
 RF CONNECTOR: TNC MALE  
 VSWR AVERAGE: 2.5:1 OR LESS  
 PATTERN: OMNIDIRECTIONAL  
 GAIN: -27 TO 0 dBi  
 WEIGHT: <.5 lb  
 HEIGHT: 42"

**30-88 MHz Gain (dBi)**  
**30-88 MHz VSWR**



**Shakespeare**

SINCE 1897

ELECTRONIC PRODUCTS GROUP  
 COLUMBIA, S.C. 29223

DRAWN BDM	ENG APPROVAL:	SCALE NONE	DATE 9/24/14
--------------	---------------	---------------	-----------------

MANPACK ANTENNA w/TNC  
 CONNECTOR, 30–88 MHz

PART# MP-3088/T