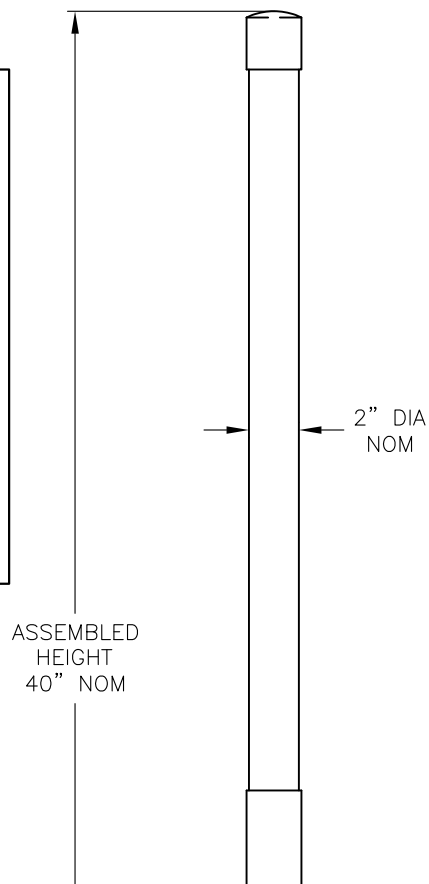
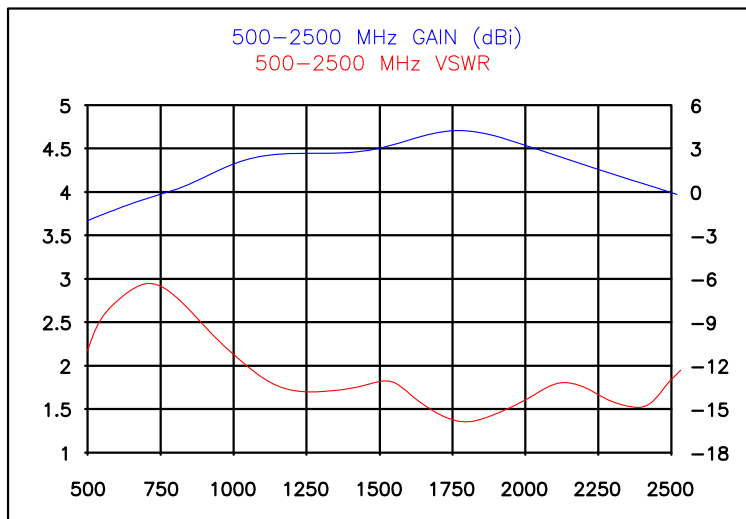
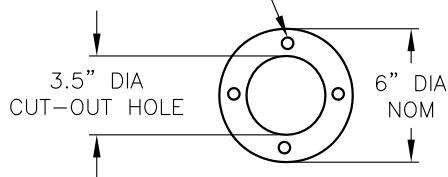


SPECIFICATION

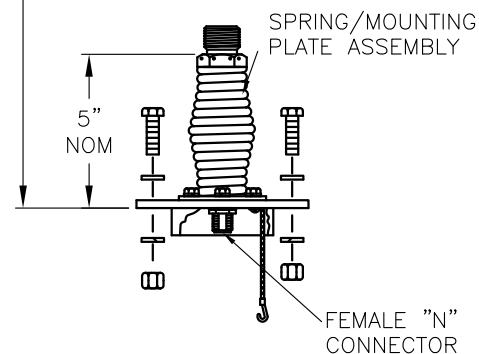
FREQUENCY: 500-2500 MHz
 INSTANTANEOUS BANDWIDTH: 2 GHz
 POLARIZATION: VERTICAL
 INPUT IMPEDANCE: 50 OHMS NOMINAL
 INPUT POWER: 200 WATTS CW
 RF CONNECTOR: 500-2500 MHz = TYPE N STANDARD
 VSWR: AVERAGE 3.0:1 OR LESS
 GAIN: 500-2500 MHz = -2 TO +4 dBi
 WEIGHT: 5 LBS APPROXIMATE
 COLOR: GREEN, TAN, BLACK



FOUR .438" DIA HOLES
SPACED 90° APART ON
4.5" BOLT HOLE CIRCLE



BOLT HOLE MOUNTING PATTERN



DO NOT SCALE DRAWING

UNLESS OTHERWISE SPECIFIED
DIMENSIONS ARE IN INCHES.
.X = ± TOL_X
.XX = ± TOL_XX
.XXX = ± TOL_XXX
ANGLES = ± TOL_ANG



DRAWN HRJ	ENG APPROVAL:	SCALE -	DATE 12/3/10
--------------	---------------	------------	-----------------

HIGH POWER BROADBAND
500-2500 MHz

PART# HP-5250S/VRC

REV	DESCRIPTION	BY	DATE