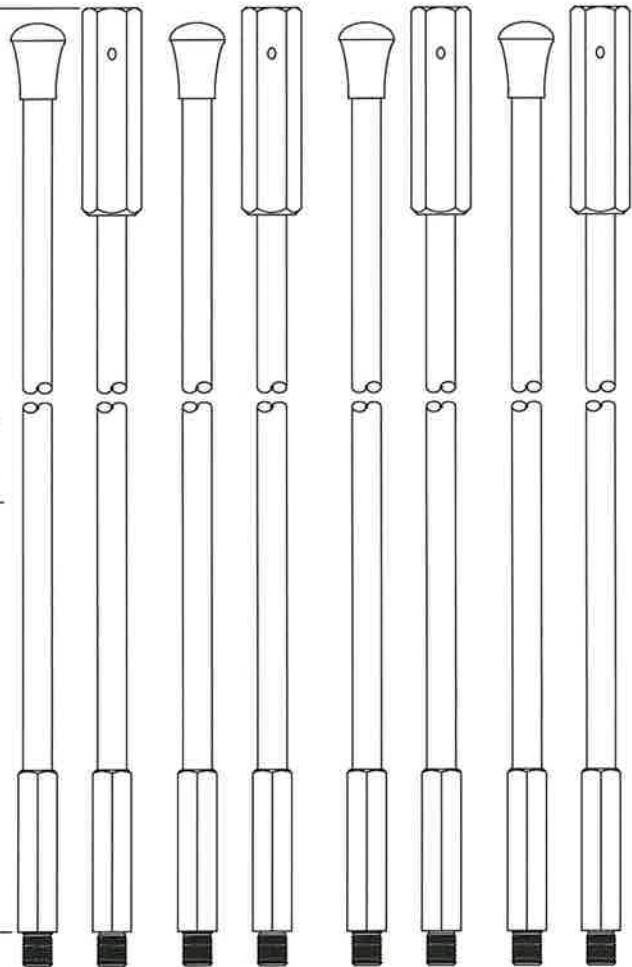
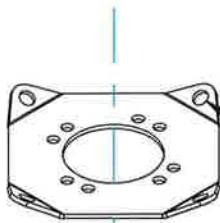
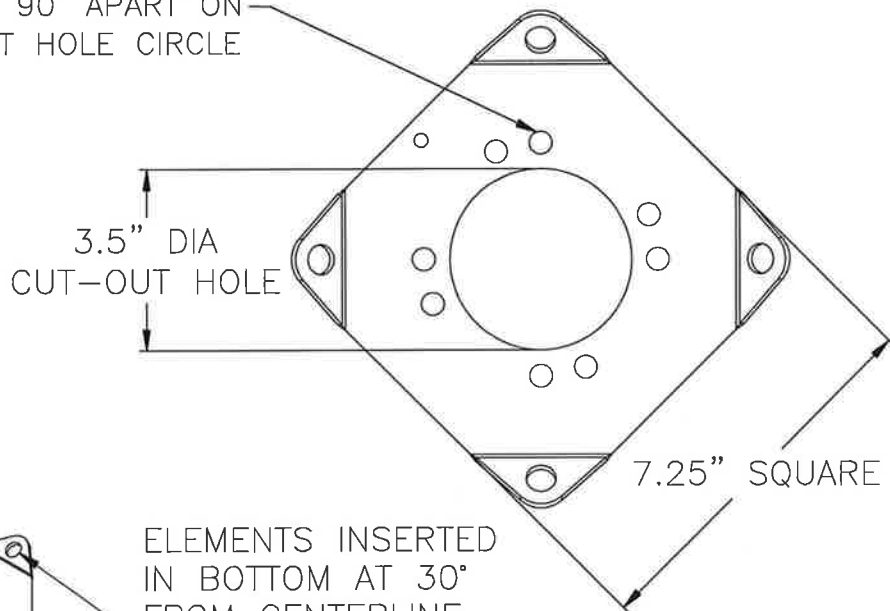


INDIVIDUAL LENGTH  
4' NOM (TYP 8)  
ASSEMBLED LENGTH  
8' NOM (TYP 4)



FOUR .438" DIA HOLES  
SPACED 90° APART ON  
4.5" BOLT HOLE CIRCLE



ELEMENTS INSERTED  
IN BOTTOM AT 30°  
FROM CENTERLINE

SYSTEM WEIGHT  
< 8 lbs

DO NOT SCALE DRAWING  
UNLESS OTHERWISE SPECIFIED  
DIMENSIONS ARE IN INCHES.  
X = ± TOL\_X  
XX = ± TOL\_XX  
XXX = ± TOL\_XXX  
ANGLES = ± TOL\_ANG



DRAWN: BDM    ENG APPROVAL:    SCALE: -    DATE: 2/6/13

ANTENNA GROUND PLANE KIT

PART# 4256A

REV	DESCRIPTION	BY	DATE