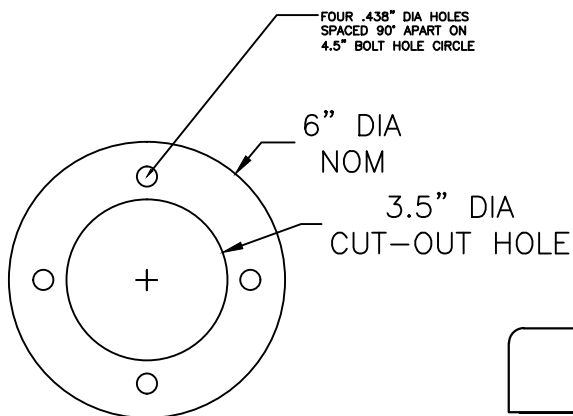
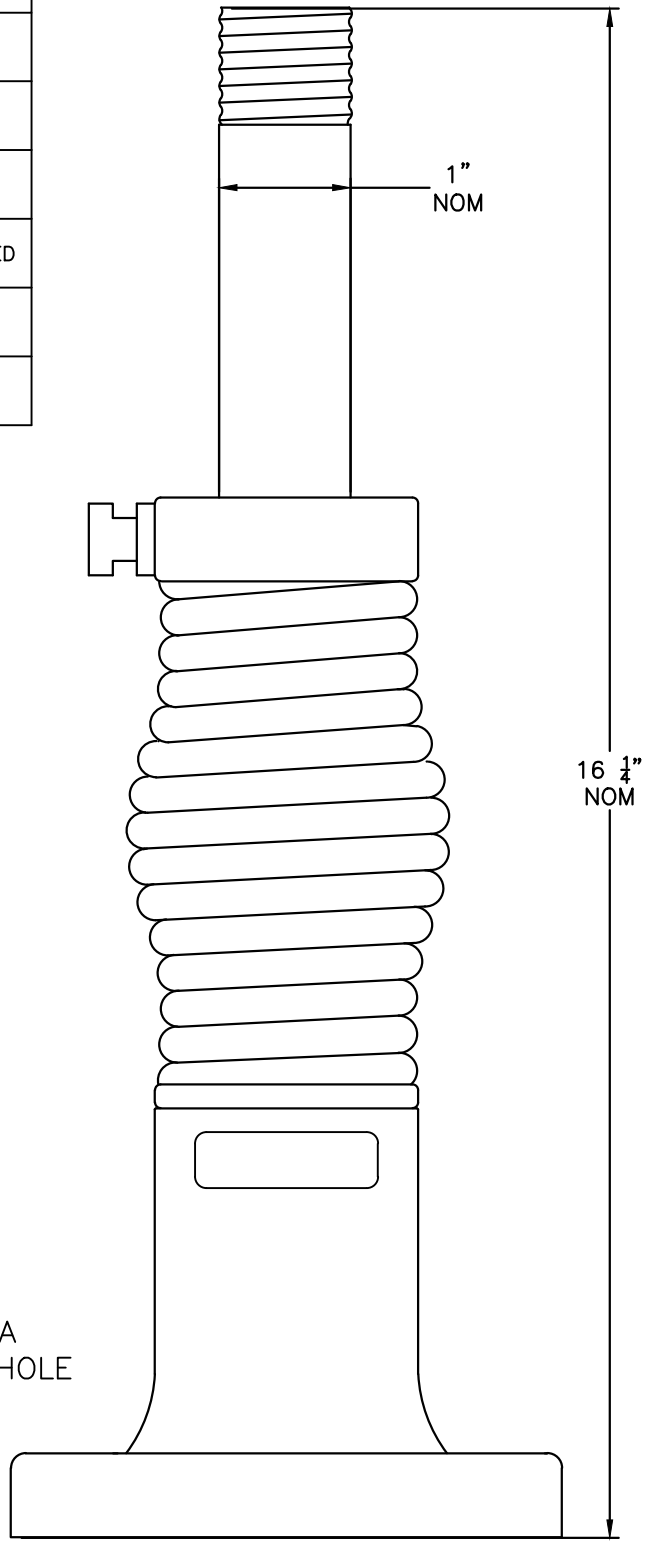



SPECIFICATIONS

FREQUENCY:	2-30 MHz WITH TUNER (NOT SUPPLIED)
POWER RATING:	1 KW
POSITION:	SPECIAL SPRING DESIGN PERMITS SPRING TO BE LOCKED IN RIGID POSITION OR IN FLEXIBLE MODE
FIT :	FITS 16' TO 32' ANTENNA
FEED:	FEED THRU DESIGN, 1/4" THREADED ROD WITH HEX NUT FEED POINT
HEIGHT:	18" (NOMINAL)
MOUNTING:	BOLT HOLES: 4 EA. 3/8" DIA HOLES ON A 4.5" BHC



BOLT HOLE MOUNTING PATTERN

(NSN: 5985-01-499-4898)

ENGINEERING APPROVAL BY:		DATE:	DO NOT SCALE DRAWING UNLESS OTHERWISE SPECIFIED DIMENSIONS ARE IN INCHES. X = ± TOL_X JX = ± TOL_JX JXX = ± TOL_JXX XXX = ± TOL_XXX ANGLES = ± TOL_ANG	 SINCE 1907 ELECTRONIC PRODUCTS GROUP COLUMBIA, S.C. 29203	DRAWN	ENG APPROVAL:	SCALE	DATE
REV	DESCRIPTION	BY			DATE	TR		-
				HF BASE, NO ANTENNA				
				PART# 4245				