

Thank you for purchasing a Shakespeare antenna product. Customer comments are welcome. Before installing, please study the diagram and check parts supplied against those listed.

IMPORTANT! Please read all instructions before installing.

The Style 5187 Stainless Steel Ratchet Mount is a versatile, free-standing mount with a four-way ratchet design. It can be used for mounting to vertical or horizontal surfaces (deck or bulkhead) and to adjust to a slanted surface.

Tools required: As needed to secure mount: drill, drill bit, pliers or wrench, screwdrivers - one for mounting bolt heads and a wide blade screwdriver to tighten the mount's holding screw.

Installation Instructions

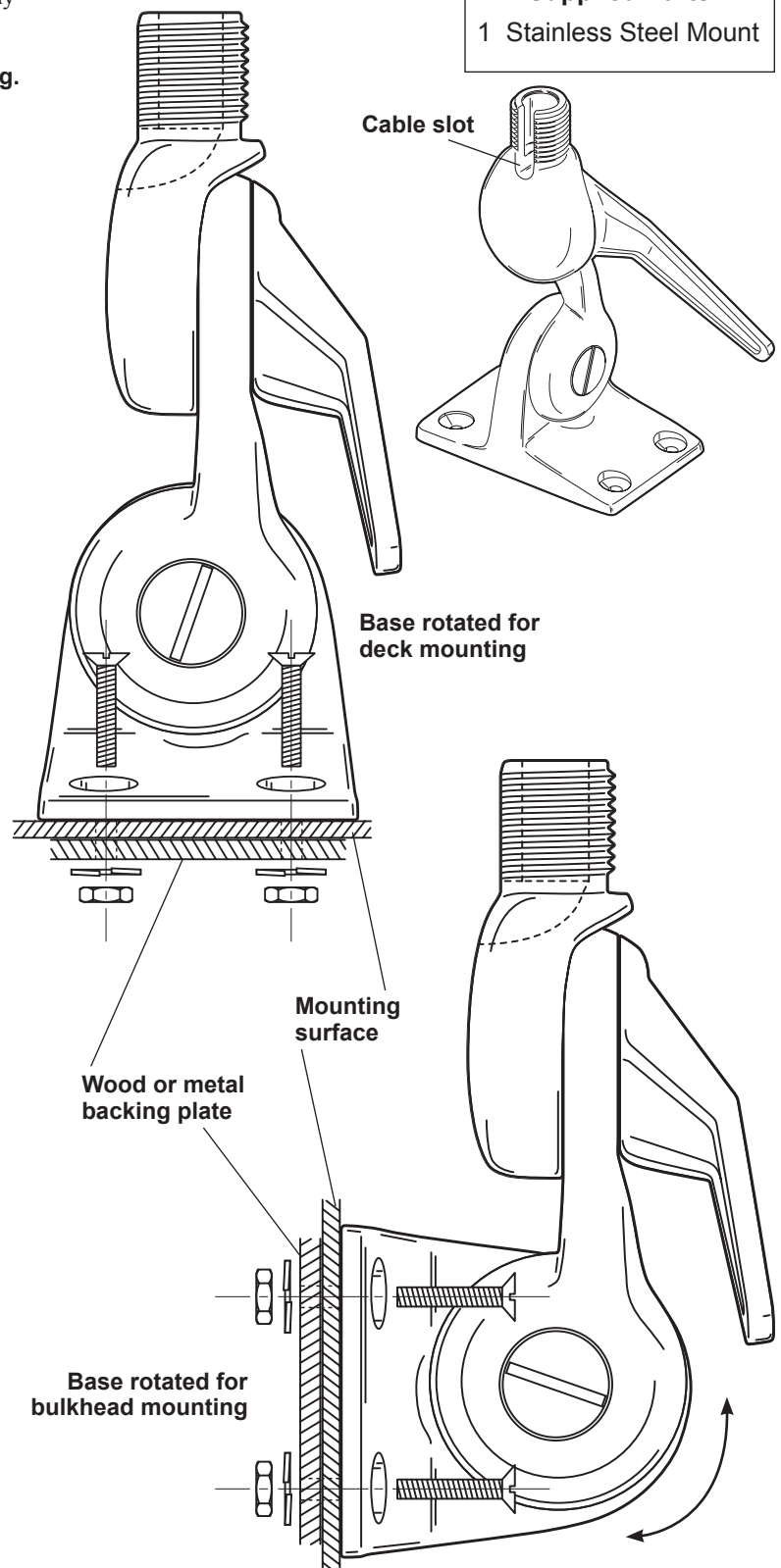
Choose a mounting location according to the requirements of the antenna you are using.

1. Mark the locations for the four mounting holes using the mount's base as a template.
2. Drill the mounting holes. When drilling fiberglass, use a backup block of wood to reduce push-through surface damage.
3. Mount the antenna using stainless steel ¼" bolts, washers, lock washers, and nuts (Style 412 Stainless Steel Mounting Hardware Kit sold separately), or other hardware (not supplied) that is suitable to the mounting surface.

IMPORTANT: If the thickness of the mounting surface is not adequate to support the antenna under stress, a wood or metal back-up plate (not supplied) should be placed under the deck during mount installation (see illustration). When the boat is operated at high speed, it is recommended that the antenna be lowered, to prevent breakage or deck damage.

4. For a streamlined look, cable may be routed through the slot provided in the side of the mount. To preserve the mount's lustre, apply auto wax or metal polish.

Supplied Parts
1 Stainless Steel Mount



Shakespeare Electronic Products Group

U.S. Operations: 6111 Shakespeare Rd. · Columbia, SC 29223 · 803-227-1590 · Fax: 803-419-3099 · www.shakespeare-marine.com
 U.K. Operations: Enterprise Way, Fleetwood, Lancashire, FY7 8RY, England · +44 (0) 1253 858787 · Fax: +44 (0) 1253-859595 · www.vtronix-antennas.com