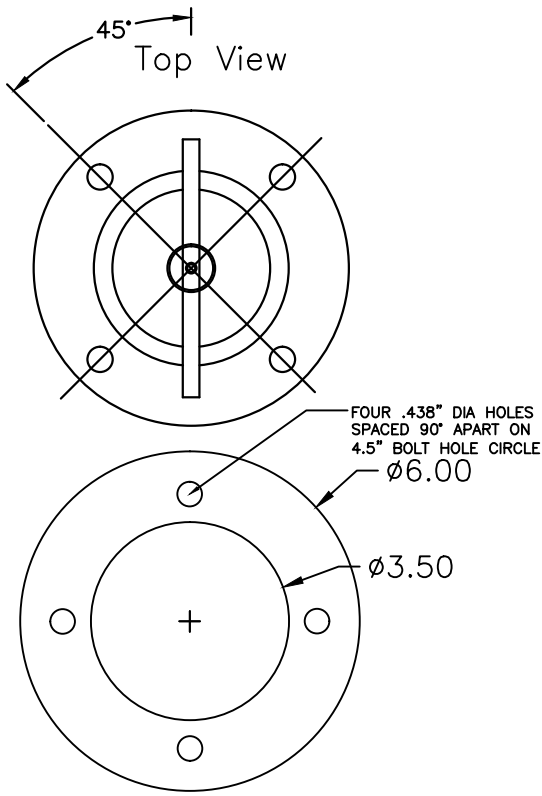
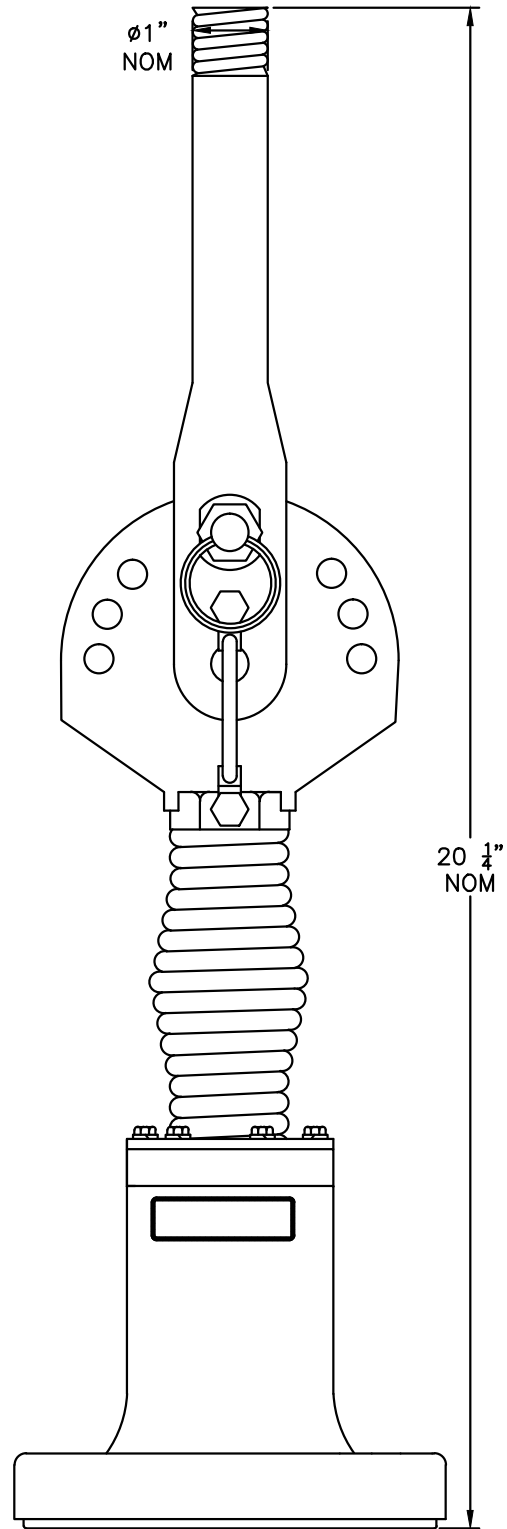


SPECIFICATIONS

FREQUENCY:	2-30 MHz WITH TUNER (NOT SUPPLIED)
POWER RATING:	1 KW
POSITION:	SPRING LOADED LOCKING PIN ALLOWS QUICK CHANGE TO TILT SETTINGS AT VERTICAL, 50°, 70°, 90°
FIT :	FITS 16' ANTENNA ONLY
FEED:	FEED THRU DESIGN, 1/4" THREADED ROD WITH HEX NUT FEED POINT
HEIGHT:	20.5" (NOMINAL)
MOUNTING:	4-BOLT MOUNTING (CECOM DRAWING A3207505)



BOLT HOLE MOUNTING PATTERN

(NSN:5985-01-621-3702)

ENGINEERING APPROVAL BY:		DATE:	DO NOT SCALE DRAWING UNLESS OTHERWISE SPECIFIED DIMENSIONS ARE IN INCHES. X = ± TOL_X JX = ± TOL_JX JXX = ± TOL_JXX ANGLES = ± TOL_ANG	 SINCE 1907 ELECTRONIC PRODUCTS GROUP COLUMBIA, S.C. 29203	DRAWN	ENG APPROVAL:	SCALE	DATE
REV	DESCRIPTION	BY			DATE	TR		-
					HF BASE, W/ NO ANTENNA			
					PART# 4289-W			