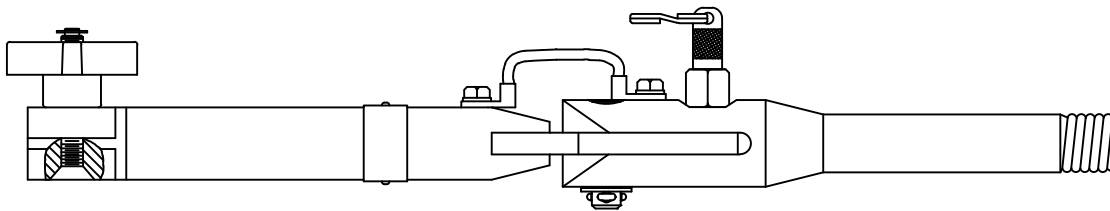
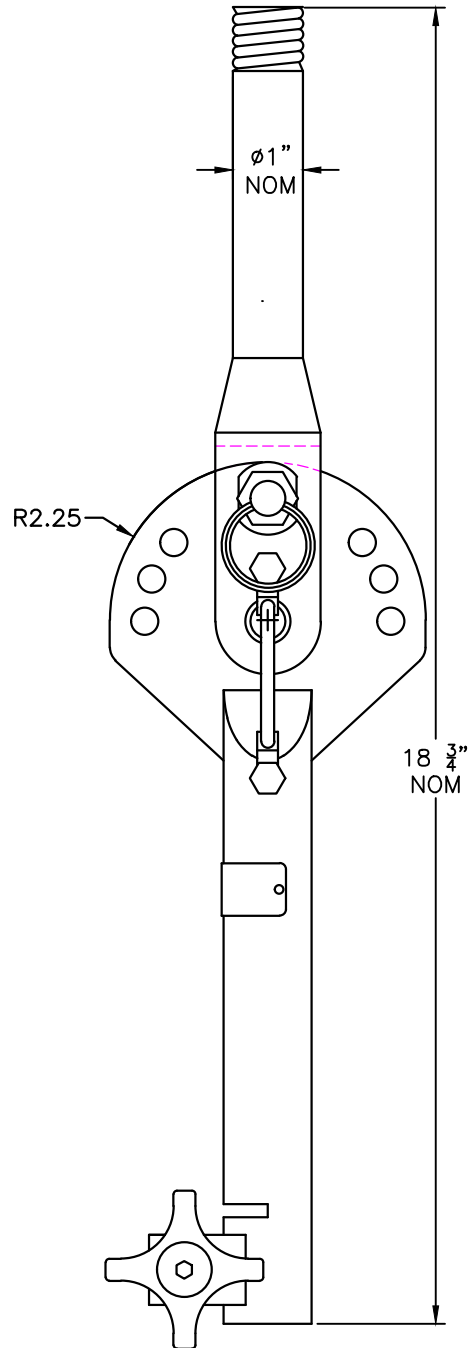


SPECIFICATIONS

FREQUENCY:	2-30 MHz WITH TUNER (NOT SUPPLIED)
POSITION:	SPRING LOADED LOCKING PIN ALLOWS QUICK CHANGE TO TILT SETTINGS AT VERTICAL, 50°, 70°, 90°
FIT :	USE WITH 16' OR 32' ANTENNA
FEED:	FEED THRU DESIGN, 1/4" THREADED ROD WITH HEX NUT FEED POINT
HEIGHT:	19" (NOMINAL)
MOUNTING:	TILT ADAPTER SCREWS ONTO BASE AND THE ANTENNA SCREWS ONTO THE ADAPTER



(NSN:5985-01-422-8525)

ENGINEERING APPROVAL BY:		DATE:		DO NOT SCALE DRAWING UNLESS OTHERWISE SPECIFIED DIMENSIONS ARE IN INCHES. X = ± TOL_X JX = ± TOL_JX JXX = ± TOL_JXX ANGLES = ± TOL_ANG		Shakespeare SINCE 1907 ELECTRONIC PRODUCTS GROUP COLUMBIA, S.C. 29203		DRAWN TR	ENG APPROVAL:	SCALE -	DATE 03/04/14
REV	DESCRIPTION	BY	DATE					TILT WHIP ADAPTER			
								PART# 4282			