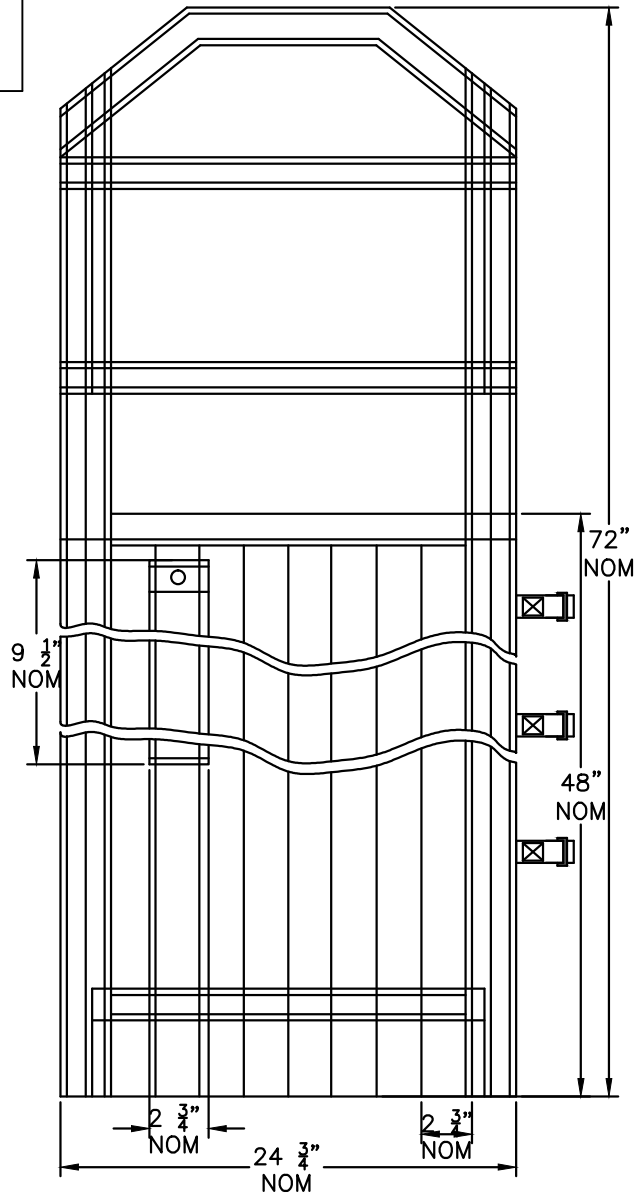


SPECIFICATIONS

DESCRIPTION:	HEAVY DUTY CARRYING CASE
MATERIALS:	1000 DENIER CORDURA OR #10 COTTON DUCK PER CCC-C-428, TYPE L, CLASS L
DIMENSIONS:	4" DIA X 64" LONG (ROLLED UP)
FINISH:	MILITARY GREEN
USAGE:	EIGHT POCKETS FOR ANTENNA SECTIONS AND EXTENSIONS



(NSN:5985-01-475-2367)

DO NOT SCALE DRAWING UNLESS OTHERWISE SPECIFIED DIMENSIONS ARE IN INCHES.		<small>SINCE 1897</small> ELECTRONIC PRODUCTS GROUP COLUMBIA, S.C. 29203	DRAWN TR	ENG APPROVAL:	SCALE -	DATE 03/04/14
X = ± TOL_X	JX = ± TOL_JX		CANVAS BAG			
XXX = ± TOL_XXX	ANGLES = ± TOL_ANG	PART# 120-58				
ENGINEERING APPROVAL BY:	DATE:					
REV	DESCRIPTION	BY	DATE			