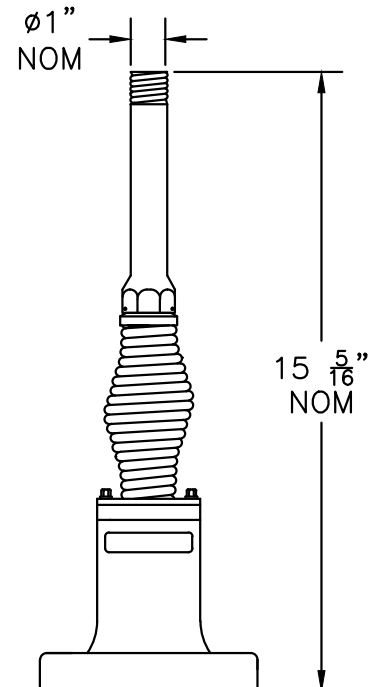
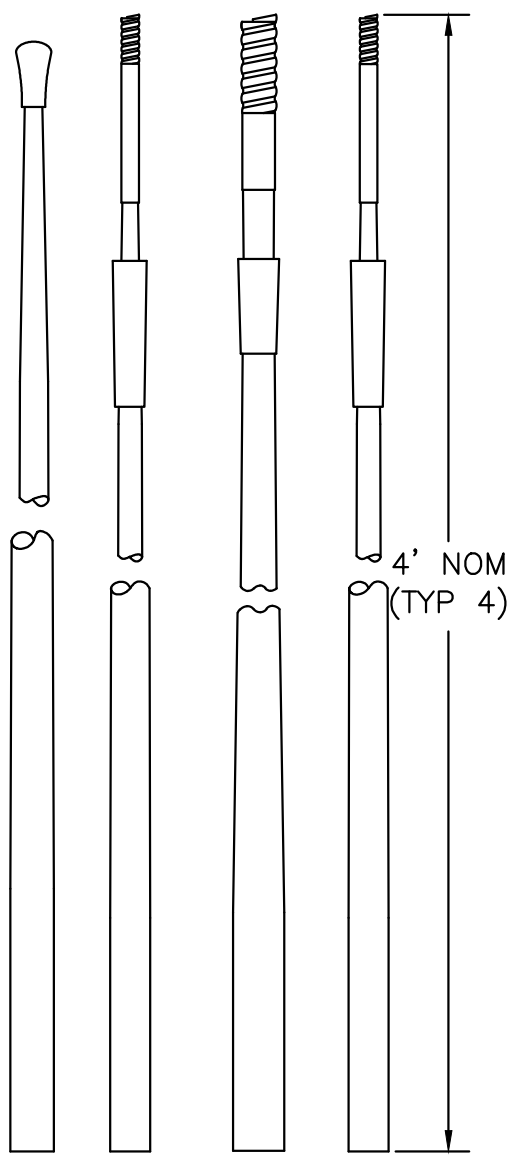


| SPECIFICATIONS | |
|---------------------|--|
| FREQUENCY: | 2-30MHz WITH TUNER (NOT SUPPLIED) |
| POWER RATING: | 1 KW |
| POLARIZATION: | VERTICAL |
| CONSTRUCTION: | SHAKESPEARE FIBERGLASS PROCESS (ANTENNA SECTIONS) |
| ENVIRONMENT: | FOR ALL WEATHER ENVIRONMENTS |
| SALT FOG RESISTANT: | 5% SALINITY SOLUTION |
| OPERATING TEMP: | -40° C TO +80° C |
| RADIATION: | OMNIDIRECTIONAL |
| BASE DIAMETER: | 1.25" (NOMINAL) |
| TIP DIAMETER: | .25" (NOMINAL) |
| LENGTH: | 16' 4 SECTIONS |
| WEIGHT: | < 10 LBS NOMINAL |
| FINISH: | MILITARY GREEN #23 |
| ALTITUDE: | UP TO 15,000 FT |
| WIND RATING: | UP TO 80MPH(FOR 0.5" RADIAL ICE, REDUCE WIND RATING BY40%) |



4244-1 (NSN:5985-01-527-2576)



120-49 (NSN:5985-01-539-1084)

| | |
|--------------------------|-------------|
| ENGINEERING APPROVAL BY: | DATE: |
| REV | DESCRIPTION |
| BY | DATE |

DO NOT SCALE DRAWING
UNLESS OTHERWISE SPECIFIED
DIMENSIONS ARE IN INCHES.
X = ± TOL_X
XX = ± TOL_XX
XXX = ± TOL_XXX
ANGLES = ± TOL_ANG



| | | | |
|--------------------------|---------------|-------|----------|
| DRAWN | ENG APPROVAL: | SCALE | DATE |
| TR | | - | 03/04/14 |
| HF BASE, W/ 16FT ANTENNA | | | |
| PART# 120-49 & 4244-1 | | | |