

Sailboat Mast Mounting Bracket

Thank you for purchasing a Shakespeare product. Customer comments are welcome. Before installing, please study the diagram and check parts supplied against those listed.

Supplied Parts

- (1) Bracket, Sailboat Mount

Required Parts

(Not Supplied)

- (6) Mounting Screws
- (2) Banding Straps

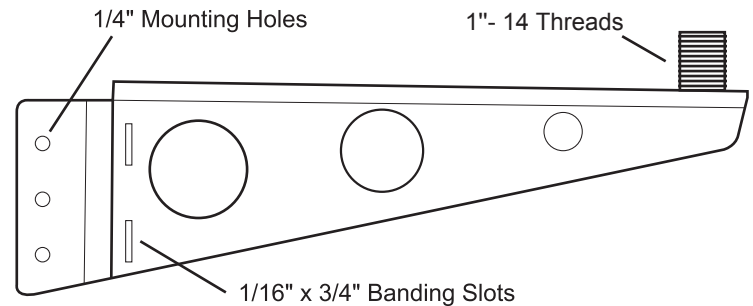
IMPORTANT! Please read all instructions before installing.

The Style 4366-R Stainless Steel Sailboat Mounting Bracket was designed for mounting up to a 19" Diameter HDTV antenna to a Sailboat Mast, utilizing the 1"-14 threaded insert.

The mount will also accommodate a "WebWhip" or "Squatty Body" Sailboat antenna utilizing the 5/8" mounting holes.

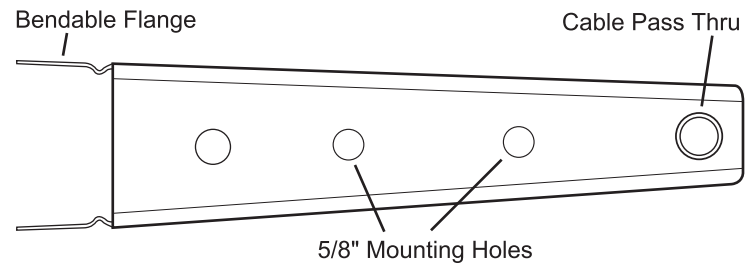
Preliminary Considerations

1. You must decide whether to install the bracket on the mast before or after installing the antenna on the bracket. We suggest installing the bracket on the mast first.
2. When selecting the location for the 4366-R bracket, be sure to pick a spot where neither the mounted TV antenna nor the 4366-R will come in contact with the sail. Damage to the TV antenna or the 4366-R caused by the sail is not covered under warranty.



Installation Instructions

1. Attach the 4366-R bracket to the mast using the appropriate type screws (not supplied) inserted thru the (6) 1/4" mounting holes. Secure the mount to the mast with banding straps (not supplied) through the banding slots to provide extra security to the installation.
2. The flanges may be bent as required to accommodate different mast sizes. The use of a small vise or pliers with wide jaws would facilitate bending the flanges.



Tools Required

- (1) Drill and Drill Bits
- (2) Screw Driver
- (3) Small Vise or Pliers

35-90-1605-00

Shakespeare Electronic Products Group

U.S. Operations: 6111 Shakespeare Rd. · Columbia, SC 29223 · 803-227-1590 · Fax: 803-419-3099 · www.shakespeare-marine.com
 U.K. Operations: Enterprise Way, Fleetwood, Lancashire, FY7 8RY, England · +44 (0) 1253 858787 · Fax: +44 (0) 1253-859595 · www.vtronix-antennas.com